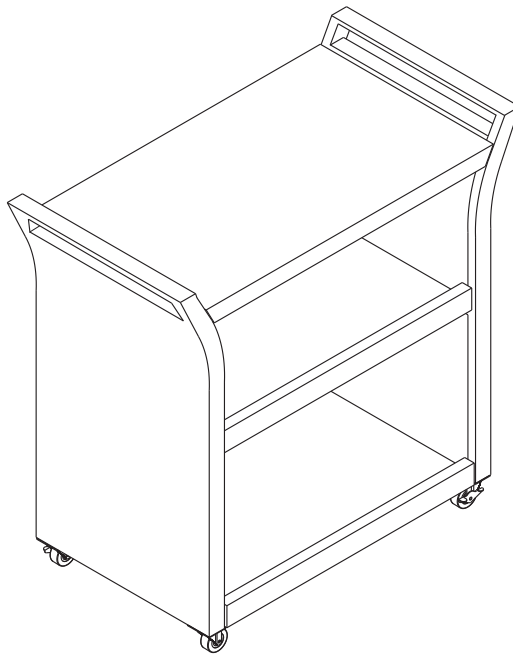
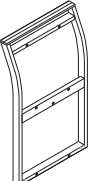
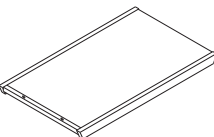
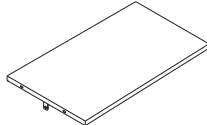
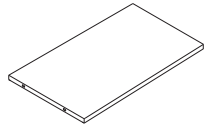
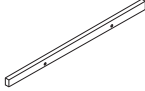






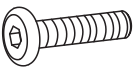
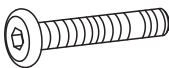



Palm Harbor Outdoor Wicker Bar Cart
CO7213



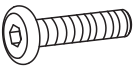
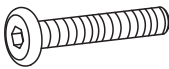


PART LIST

				
<p>Side Panel 2 PCS</p>	<p>Top Shelf 1 PC</p>	<p>Middle Shelf 1 PC</p>	<p>Bottom Shelf 1 PC</p>	<p>Rail 4 PCS</p>
				
<p>Swivel Caster 2 PCS</p>	<p>Locking Caster 2 PCS</p>			

HARDWARE LIST

				
<p>M6*30mm Short Bolt 10 PCS</p>	<p>M6*45mm Long Bolt 12 PCS</p>	<p>M4mm Bolt 16 PCS</p>	<p>M6mm Washer 22 PCS</p>	<p>M6mm Allen Key 1 PC</p>

EXTRA HARDWARE LIST

			
<p>M6*30mm Short Bolt 3 PCS</p>	<p>M6*45mm Long Bolt 3 PCS</p>	<p>M4mm Bolt 3 PCS</p>	<p>M6mm Washer 3 PCS</p>

ADDITIONAL TOOLS(Not Provided)

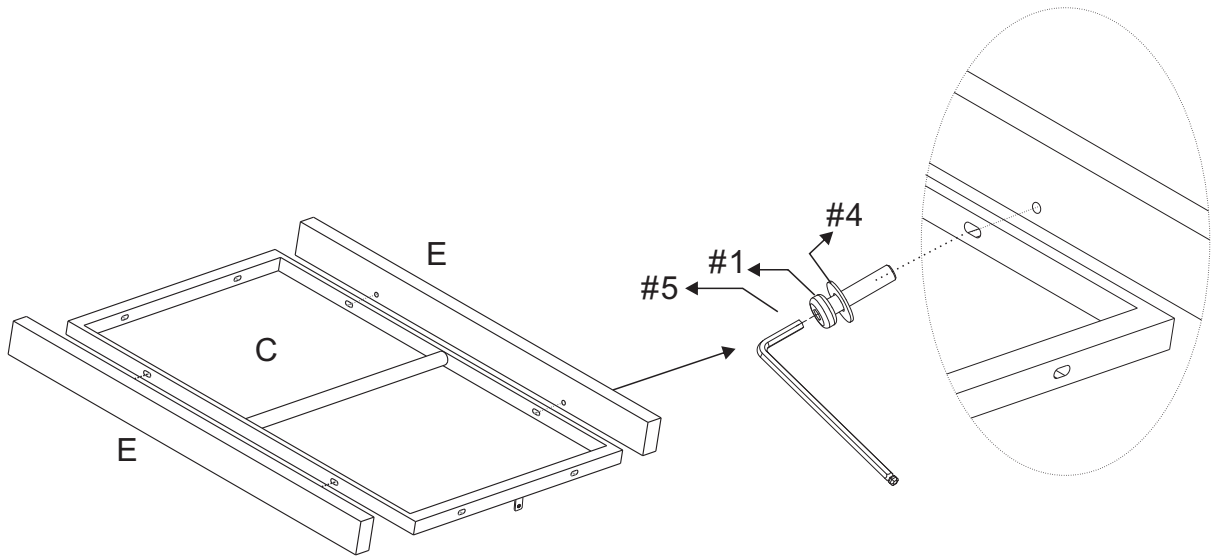
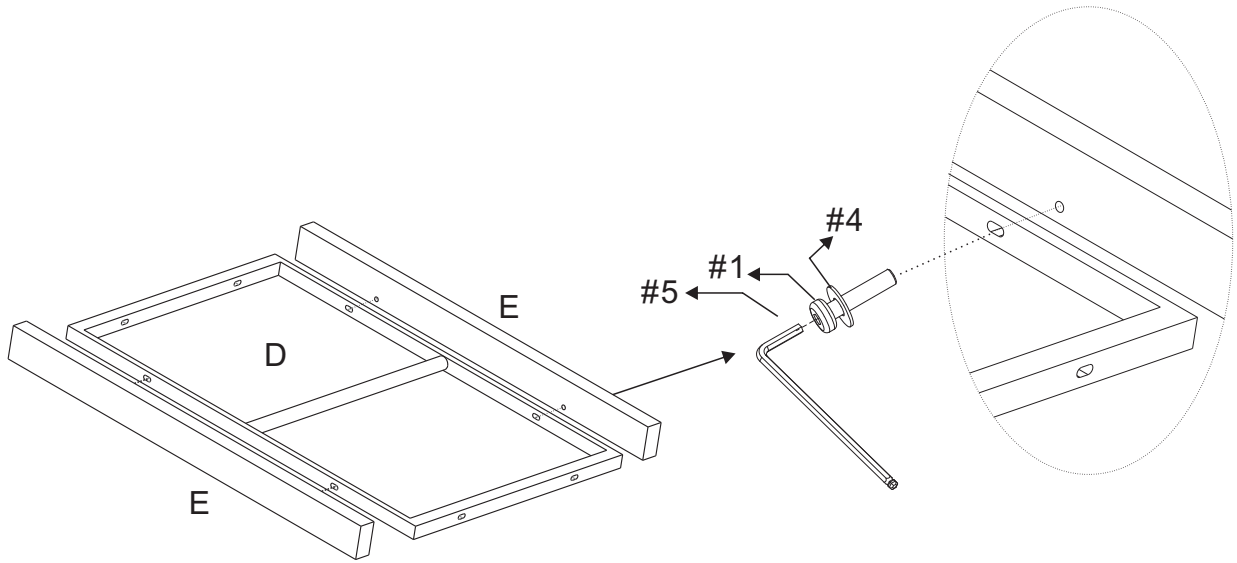
Note:It is not recommended to use power tools during assembly.

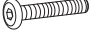




Phillips Head Screw Driver

Step 1. Lay bottom shelf (part #D) and middle shelf (part #C) down on a flat surface. Attach rails (part #E) to shelves (part #D&C) using the short bolts (part #1), washers (part #4) and allen key (part #5).

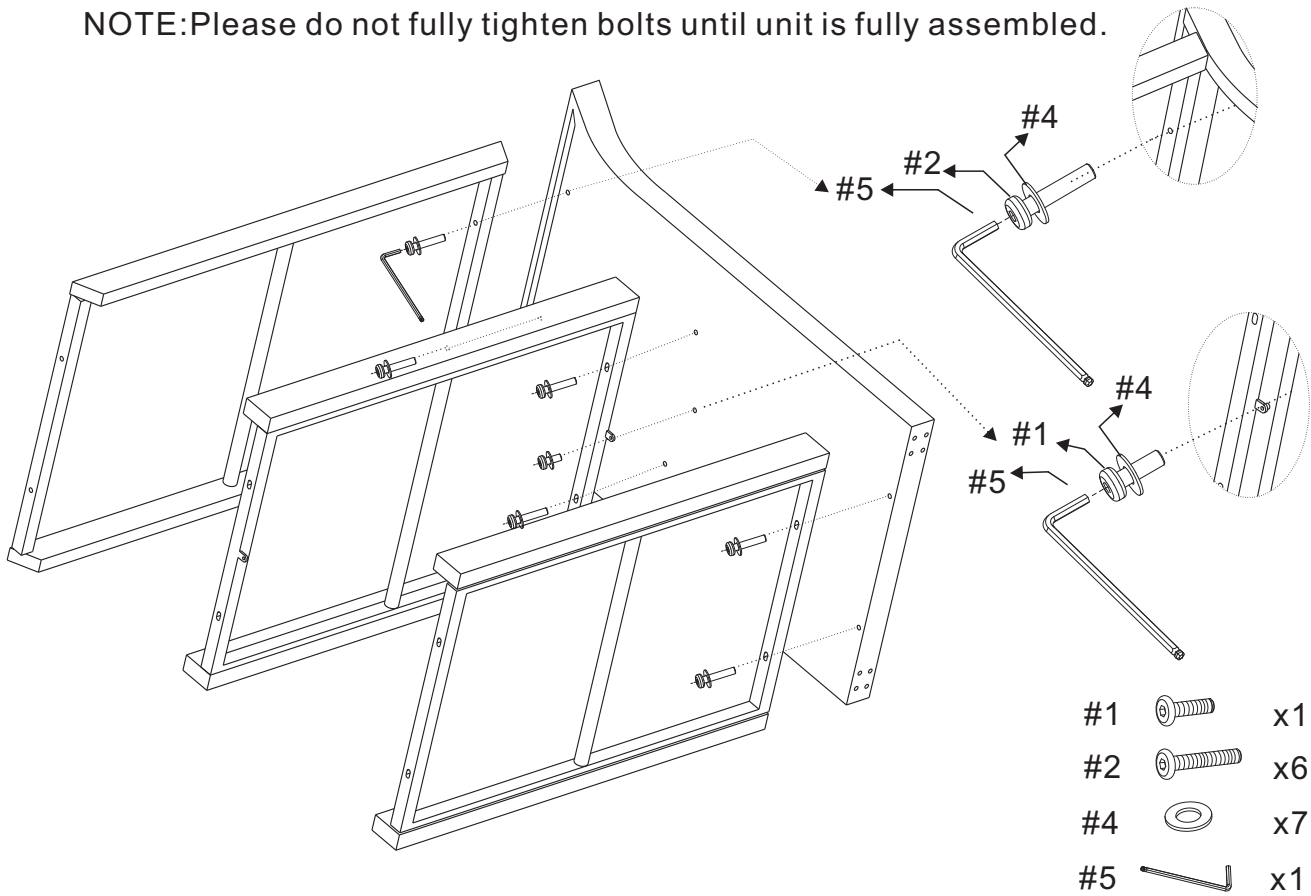
NOTE: Please do not fully tighten bolts until unit is fully assembled.



- | | | |
|----|---|----|
| #1 |  | x8 |
| #4 |  | x8 |
| #5 |  | x1 |

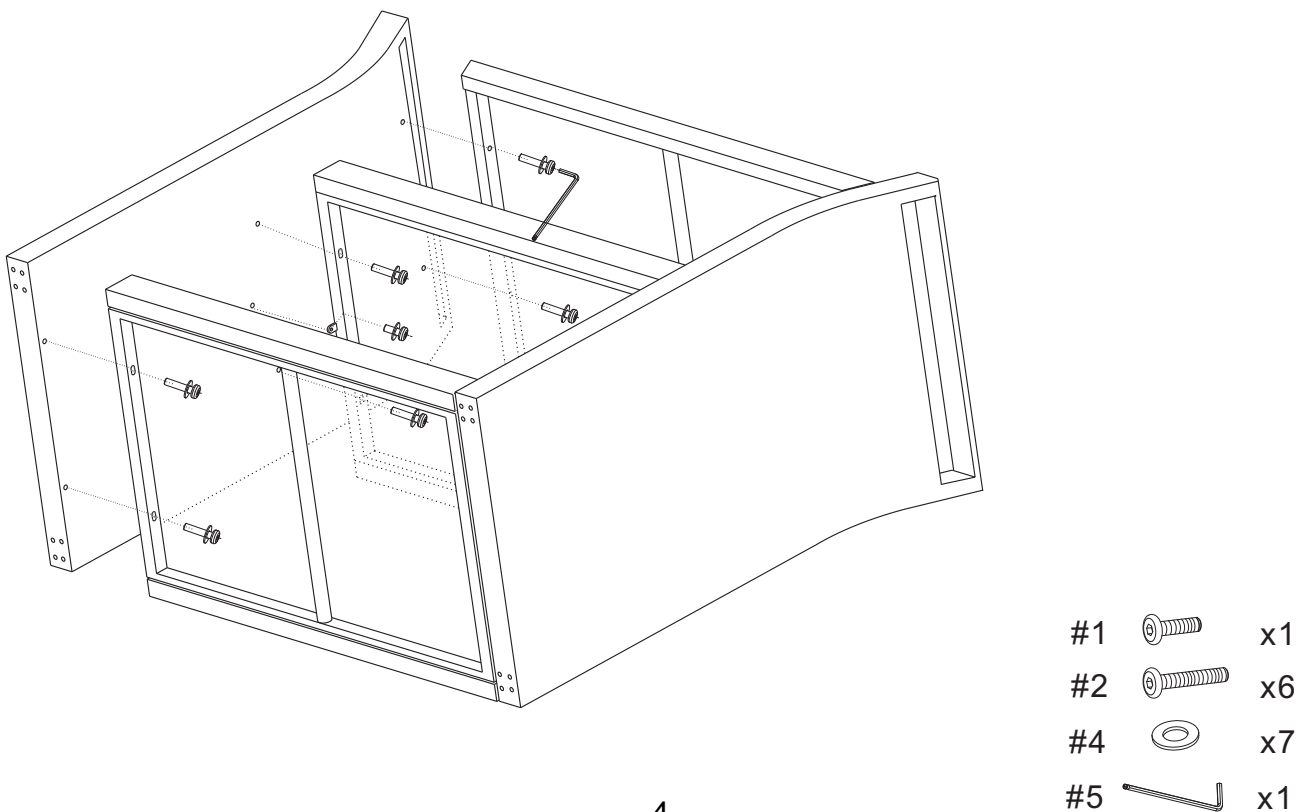
Step 3. Attach top shelf (part #B), middle shelf (part #C) and bottom shelf (part #D) to one side panel (part #A) using short bolts (part #1), long bolts (part #2), washers (part #4) and allen key (part #5).

NOTE: Please do not fully tighten bolts until unit is fully assembled.

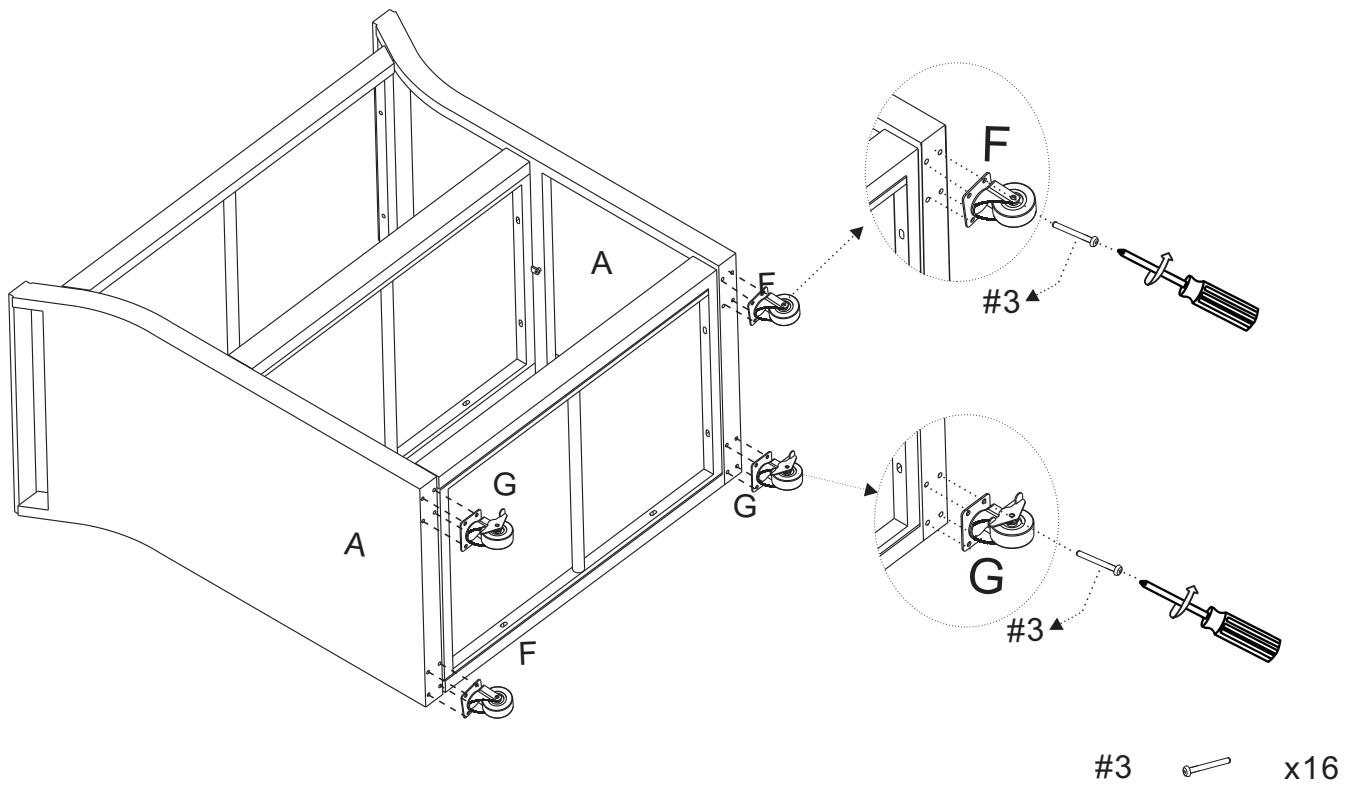


Step 4. Repeat step 3 to attach the other side panel.

NOTE: Please fully tighten all bolts at this time.



Step 5. Attach swivel caster (part #F) and locking caster (part #G) to the bottom of cart using bolts (part #3) and phillips head screw driver.



Step 6. Carefully turn the bar cart upright, with casters on the floor.

